

The World of Security

IS *Intelligent
Systems*



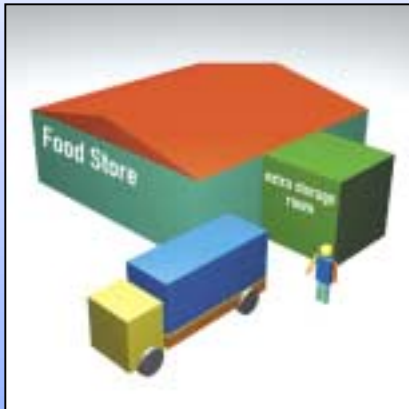
Access Control
Access Control
Systems

K-Safes

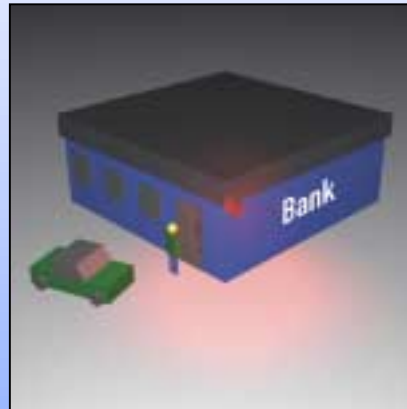
**For each application
the right solution**



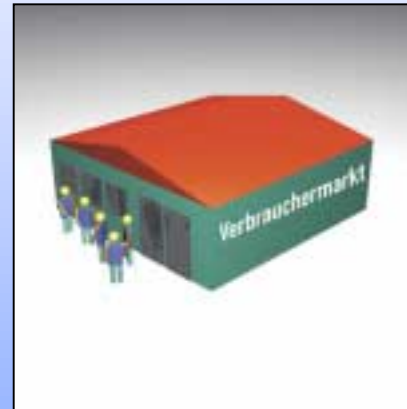
Applications



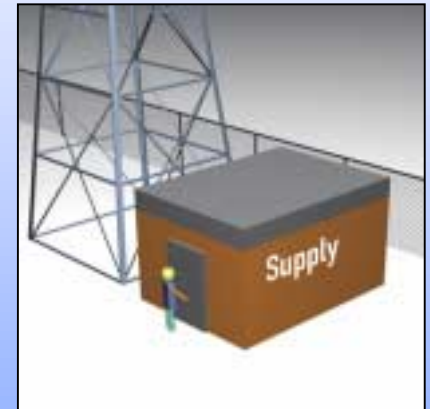
Food stores



**Overnight
delivery**



Banks



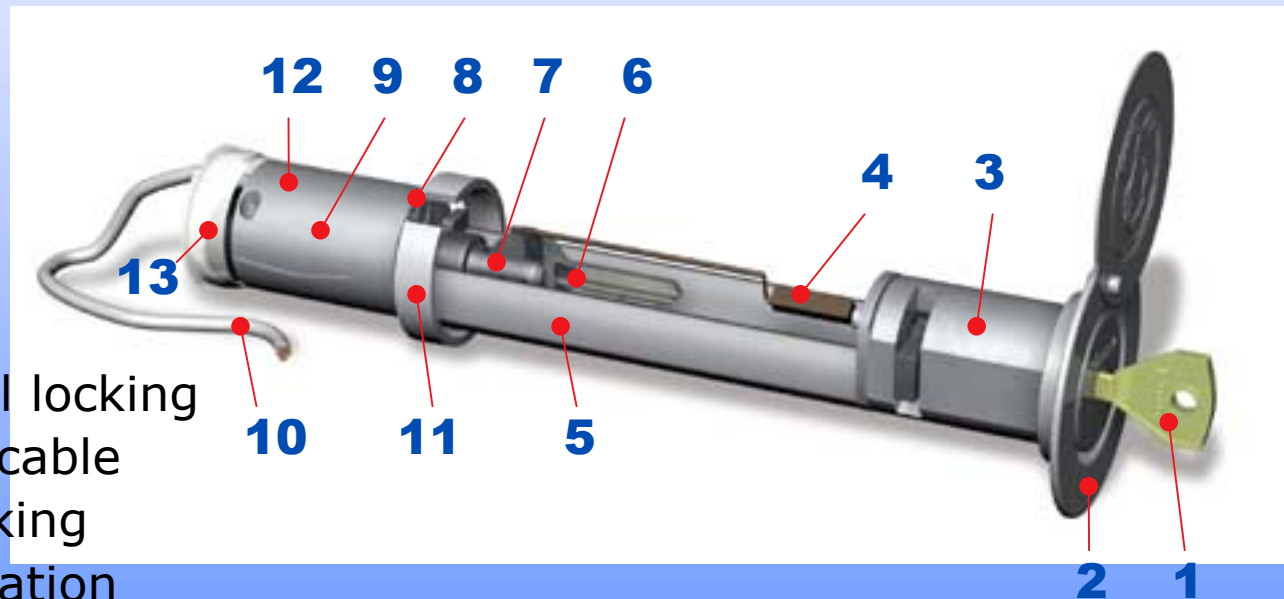
**Service supply
companies**

The functional description *K-Safe plus* (example)



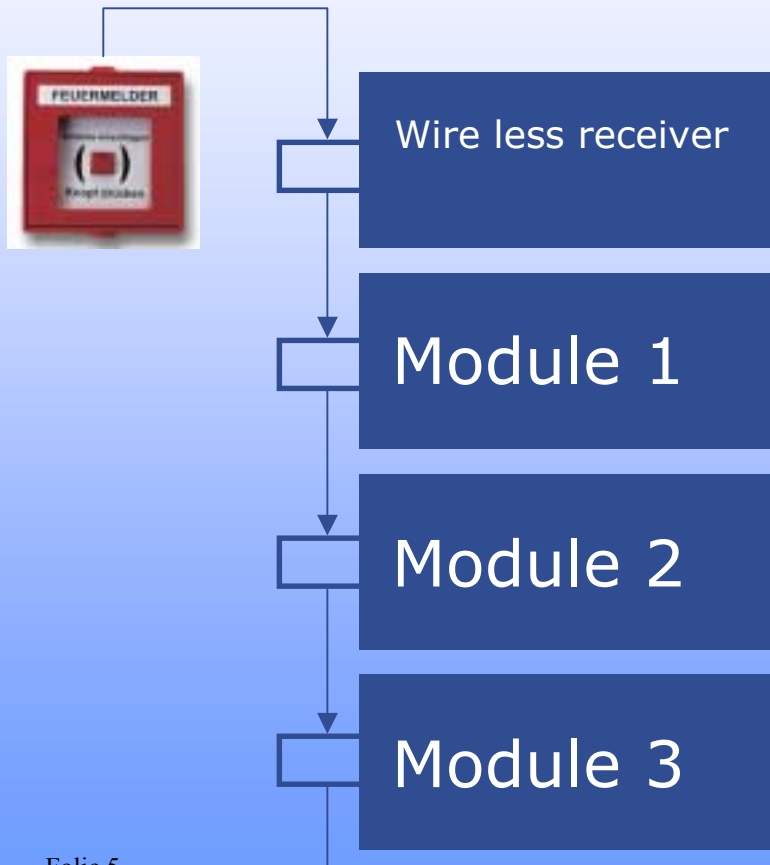
ANERKANNT
NR. G198064

- 1** Coded safe key
- 2** Plaster cover with dust cover
- 3** Locking cylinder
- 4** Cylinder monitoring (optional)
- 5** Key tube
- 6** Object key
- 7** Mechanical key adapter
- 8** Key monitoring contact
- 9** Electro-mechanical locking
- 10** Manipulation-free cable
- 11** Anti retraction locking
- 12** Potential compensation
- 13** Acoustic signal generator



Application example

„Fire works“

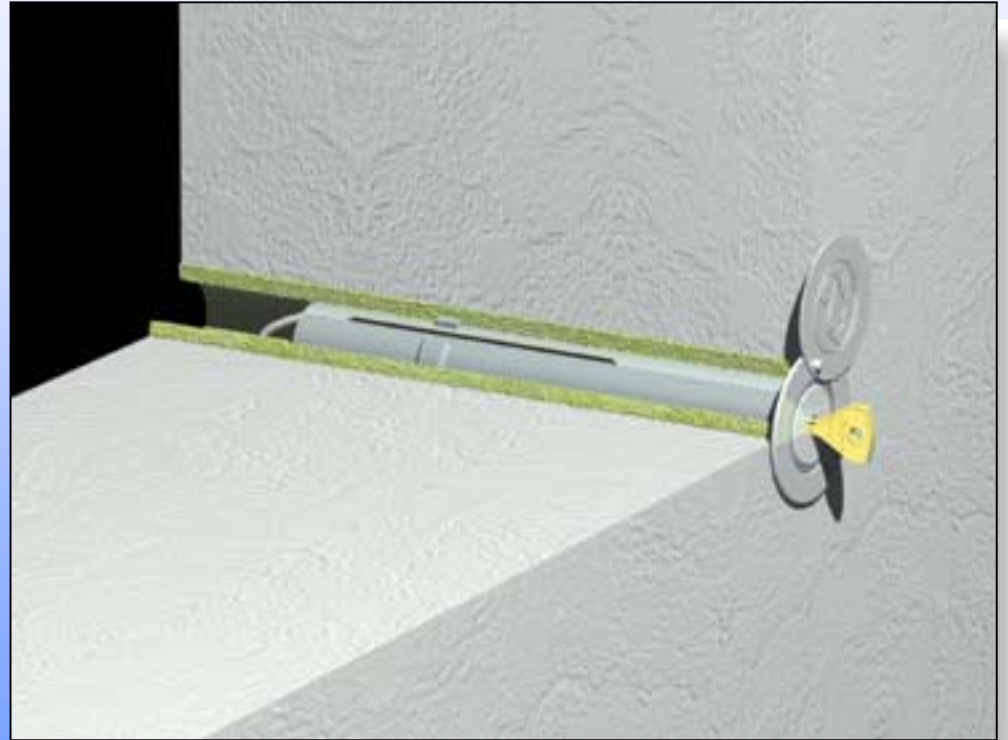


- Relays
- Power failed signal
- Battery
- Logical relation ship for three Inputs
- Delay module 1-5 Min till open the safe
- Delay module 1-30 Min till close the safe

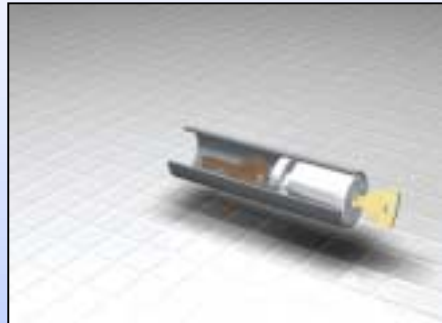
Simple Installation



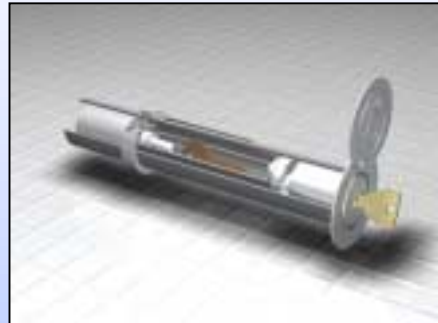
- Drill hole 52 mm
- Fixed with cementing material in the facade
- The quench ageing together with a metal ring of 1cm strength prevents the storage safe tube from violent retraction



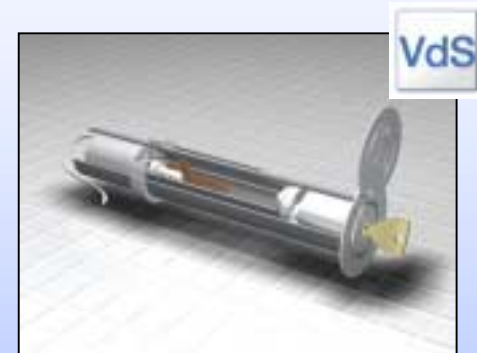
Overview



K-Safe light



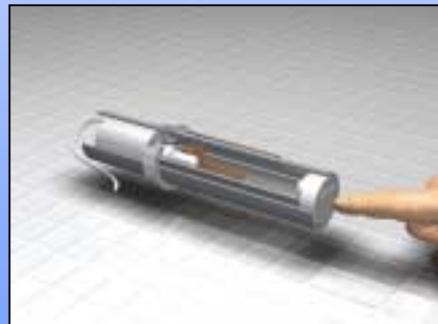
K-Safe basic 2



K-Safe plus



K-Safe electronic



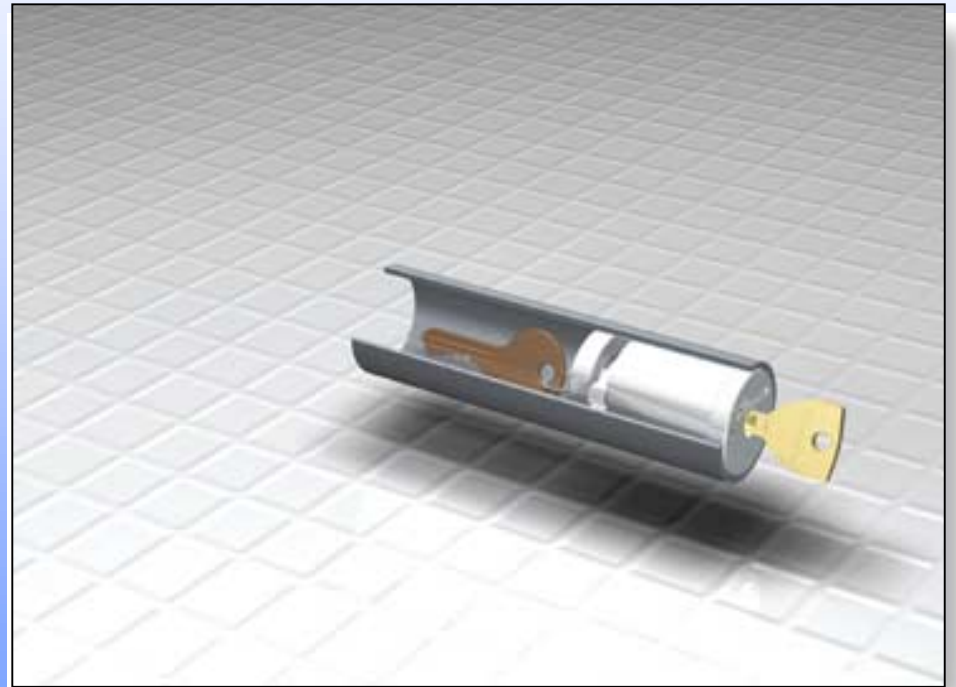
K-Safe push



K-Safe push
With Key Code Pad

K-Safe light

- **Short version for installation in thin walls**
- **Mechanical locking**
- **Cylinder monitoring (optional)**



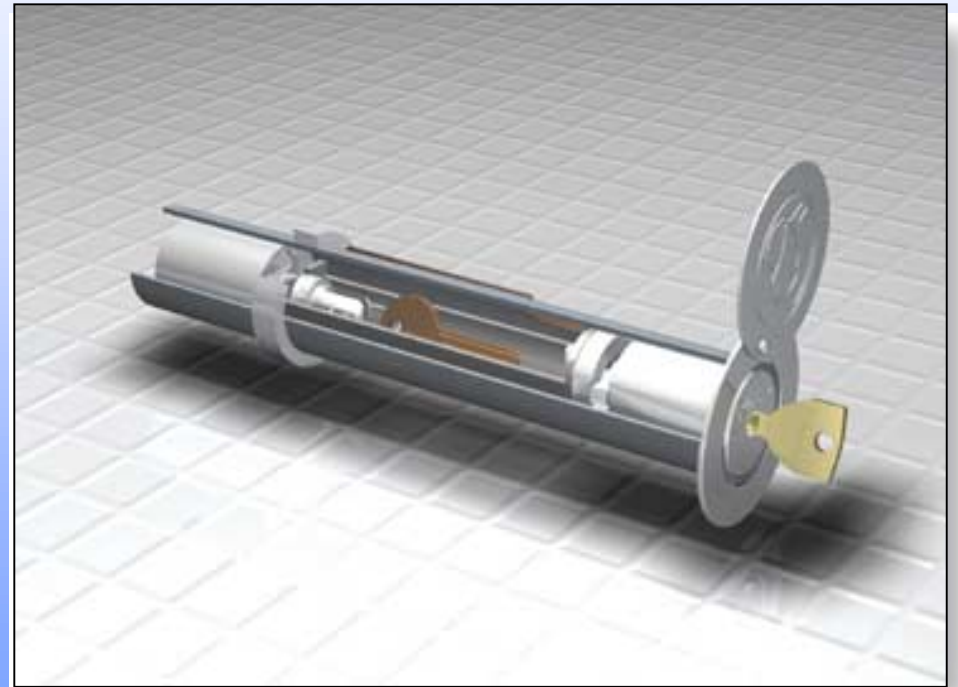
K-Safe basic 2



- **Additional key tube**
- **Object key monitoring**
- **Status of the object key observable**
- **Cylinder monitoring contact**

or

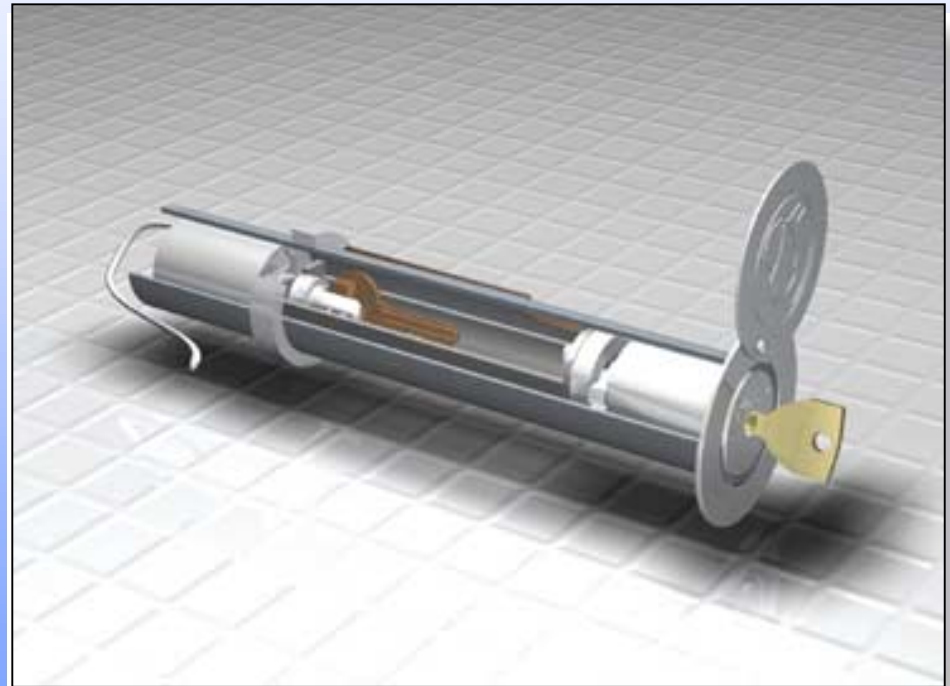
- **Mechanical locking without inserted object key**



K-Safe plus



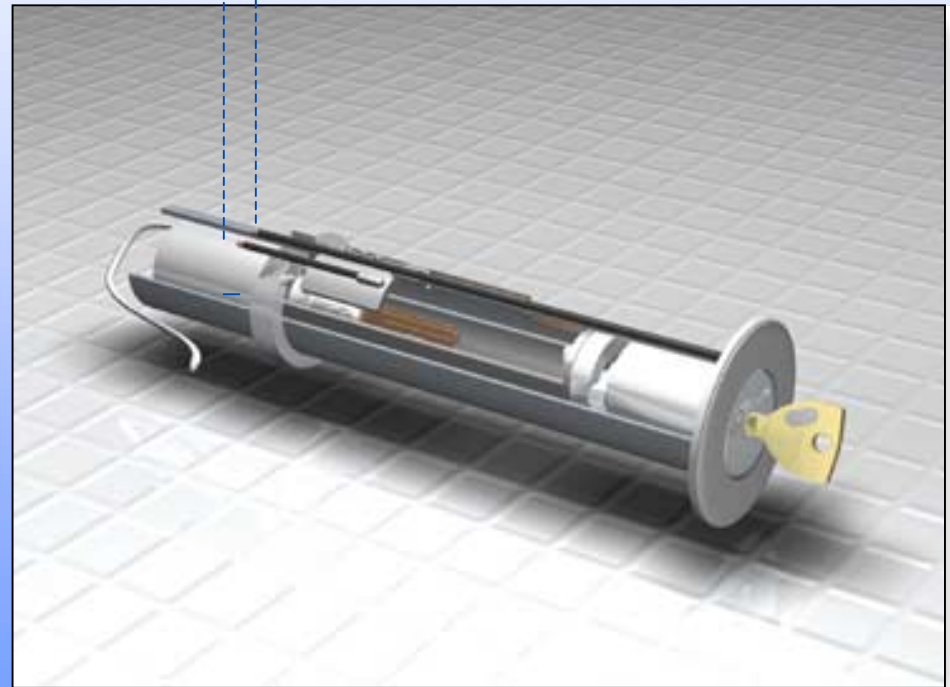
- **Electronically locking**
- **Cylinder monitoring contact**



K-Safe electronic



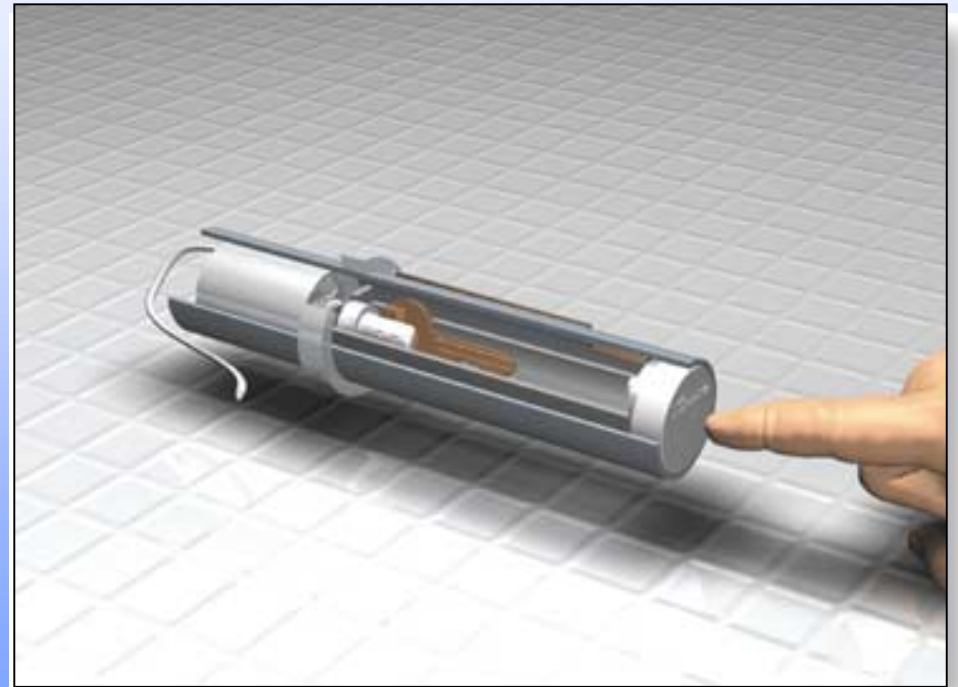
- **Electronically locking**
- **Cylinder monitoring**
- **Id of the object key can be read wire less**
- **Interface RS 232 to control the key safe via telemetry**



K-Safe push



- **Access at electronically unblocking and pushing on the front cover**
- **Unblocking via telemetry**
- **Self unblocking impossible**



K-Safe push with Key code pad



- **Flexible handling with key code pad**
- **Indoor and out door useable**



K-Safe Storage Safes



A *K-Safe* storage safe takes control of the object key and makes the „wild keys“ useless.